

WILLIAMS™



OWNER'S MANUAL INSTALLATION INSTRUCTIONS

VISITE NUESTRA PÁGINA WEB PARA LA VERSIÓN EN ESPAÑOL DE ESTE MANUAL
www.williamscomfort.com

GAS FIRED VENTED FLOOR FURNACE

NATURAL GAS

3005622 / 5005622 / 6205622

MILLIVOLT CONTROL SYSTEM

Not Approved for Installation in Canada



INSTALLER: Leave this manual with the appliance.
CONSUMER: Retain this manual for future reference.

⚠ WARNING: Installation and repair must be done by a qualified service person. The appliance should be inspected before use and at least annually by a professional service person.

- The coating selected to provide longer life to the heat exchanger **may smoke slightly upon initial firing.** Please provide adequate ventilation if this occurs.
- Installation, maintenance, service, troubleshooting & repairs must be performed by a qualified service agency. DO NOT attempt any of these procedures if you are not qualified as this could expose you to property damage, personal injury, or loss of life and will invalidate all warranties.
- This unit is for residential use only and is not approved for installation in mobile homes, greenhouses, or environments involving dusty, wet, corrosive, or explosive conditions. Such conditions will invalidate the warranty and may create unsafe conditions.

⚠ WARNING: Operation of this furnace when not connected to a properly installed and maintained venting system can result in Carbon Monoxide (C.O.) poisoning and possible death. For your safety, this furnace and the venting system should be inspected at least annually by a qualified service technician.

⚠ WARNING: If the information in these instructions is not followed exactly, a fire or explosion may result causing property damage, personal injury or loss of life.

- Do not store or use gasoline or other flammable vapors and liquids in the vicinity of this or any other appliance.

WHAT TO DO IF YOU SMELL GAS:

- Do not try to light any appliance.
- Do not touch any electrical switch; do not use any phone or cell phone in your building.
- Immediately call your gas supplier from a neighbor's phone. Follow the gas supplier's instructions.
- If you cannot reach the gas supplier, call the fire department.
- Installation and service must be performed by a qualified installer, service agency or the gas supplier.

⚠ WARNING: This product can expose you to chemicals including epichlorohydrin which is known to the State of California to cause cancer and birth defects and/or other reproductive harm. For information go to www.p65warnings.ca.gov

CONTENTS

CONTENTS	2
INSTALLATION RECORD	2
WARRANTY	3
READ CAREFULLY BEFORE INSTALLING UNIT	4
INSTALLATION IN THE STATE OF MASSACHUSETTS	5
SPECIFICATIONS AND DIMENSIONS	5
INTRODUCTION	6
FLOOR FURNACE LOCATION	7
CUTTING THE FLOOR OPENING	8
CONNECTING THE VENT	10
GAS SUPPLY AND PIPING	11
THERMOSTAT INSTALLATION	13
LIGHTING INSTRUCTIONS	14
ADJUSTING THE BURNER	15
MAINTENANCE	17
GAS FLOOR FURNACE PARTS LIST	18
FLOOR FURNACE EXPLODED VIEW	19
TROUBLESHOOTING YOUR FURNACE	20
SERVICE RECORD	22
NOTES	23

INSTALLATION RECORD

Model No. _____ Serial No. _____

Original Purchaser _____

Address _____

City and State _____ Zip _____

Dealer _____

Address _____

City and State _____ Zip _____

HVAC Installation Date _____ HVAC Installer Name _____

HVAC Signature _____

(Dealer or authorized representative who certifies that this appliance is installed in accordance with manufacturer's instructions and local codes.)

WARRANTY

The manufacturer, Williams Comfort Products, warrants this Williams wall furnace or heater to the original purchaser under the following conditions: **ANY WARRANTY CONSIDERATIONS ARE CONTINGENT ON INSTALLATION BY A QUALIFIED INSTALLER (CONTRACTOR). SELF-INSTALLATION IS PROHIBITED AND WILL INVALIDATE YOUR WARRANTY.**

LIMITED ONE-YEAR WARRANTY

1. Any part thereof which proves to be defective in material or workmanship within one year from date of original purchase for use will be replaced at the Manufacturer's option, FOB to its factory.
2. No liability is assumed by the Manufacturer for removal or installation labor costs, nor for freight or delivery charges.

LIMITED EXTENDED WARRANTY

1. In addition to the above limited one year warranty on the complete unit, any combustion chamber which burns out or rusts under normal installation, use and service conditions during a period of nine years following expiration of the one-year warranty period will be exchanged for a like or functionally similar part.
2. No liability is assumed by the Manufacturer for removal or installation labor costs, nor for freight or delivery charges.

LIMITATIONS

1. THIS LIMITED WARRANTY IS THE ONLY WARRANTY MADE BY THE MANUFACTURER, IMPLIED WARRANTIES OF MERCHANTABILITY OR FITNESS FOR ANY PARTICULAR PURPOSE ARE LIMITED TO THE SAME ONE YEAR TERM AS THE EXPRESS WARRANTY. UNDER NO CIRCUMSTANCES SHALL THE MANUFACTURER BE LIABLE FOR INCIDENTAL, CONSEQUENTIAL, SPECIAL OR CONTINGENT DAMAGES OR EXPENSES ARISING DIRECTLY OR INDIRECTLY FROM ANY DEFECT IN THE PRODUCT OR ANY COMPONENT OR FROM THE USE THEREOF. THE REMEDIES SET FORTH HEREIN ARE THE EXCLUSIVE REMEDIES AVAILABLE TO THE USER

AND ARE IN LIEU OF ALL OTHER REMEDIES.

Some states do not allow limitation on how long an implied warranty lasts, and some states do not allow the exclusion or limitation of incidental or consequential damages, so the above limitations or exclusions may not apply to you.

2. This warranty does not include any charge for labor or installation.
3. This warranty does not extend to painted surfaces or to damage or defects resulting from accident, alteration, misuses or abuse or improper installation.
4. This warranty does not cover claims which do not involve defective workmanship or materials.

DUTIES OF THE CONSUMER

1. The heating equipment must be installed by a qualified installer and operated in accordance with the installation and homeowner's instructions furnished with the equipment.
2. Any travel, diagnostic costs, service labor, and labor to repair the defective unit will be the responsibility of the owner.
3. A bill of sale, canceled check, payment record or permit should be kept to verify purchase date to establish the warranty period.
4. Have the installer enter the requested information in the space below.

GENERAL

1. The manufacturer neither assumes nor authorizes any person to assume for it any other obligation or liability in connection with said equipment.
2. Service under this warranty should be obtained by contacting your dealer. Provide the dealer with the model number, serial number, and purchase date verification.
3. If, within a reasonable time after contacting your dealer, satisfactory service has not been received, contact: Customer Service Department, 250 West Laurel Street, Colton, CA 92324 for assistance.
4. THIS WARRANTY GIVES YOU SPECIFIC LEGAL RIGHTS AND YOU MAY ALSO HAVE OTHER RIGHTS WHICH VARY FROM STATE TO STATE.

TO REGISTER YOUR FURNACE : GO ONLINE TO THE WILLIAMS HEATERS WEBSITE AT:

www.williamscomfort.com

READ CAREFULLY BEFORE INSTALLING UNIT

These installation instructions are a general guide and do not supersede applicable local codes and ordinances. Before planning or making the installation be sure it complies with all phases of the local heating code. (Or, in the absence of local codes, with the latest edition of National Fuel Gas Code, ANSI.Z223.1, or CAN1-B149).

The appliance, when installed, must be electrically grounded in accordance with local codes, or in the absence of local codes, with the latest edition of National Electrical Code ANSI/NFPA 70, or Canadian Electrical Code CSA-C22.1.

All of the ANSI and NFPA standards referred to in these installation instructions are the ones that were applicable at the time the design of this appliance was certified.

NFPA STANDARDS:

NATIONAL FIRE PROTECTION ASSOCIATION
1Batterymarch Park
Quincy, Massachusetts | USA 02169-7471

ANSI & CANADIAN STANDARDS:

CSA GROUP
178 Rexdale Boulevard,
Toronto, Ontario | Canada M9W 1R3

The design of this appliance was certified to comply with the latest edition of ANSI Z21.86 and CSA 2.32.

Installer must leave these instructions with the consumer, have them complete, and return the warranty card.



WARNING: CARBON MONOXIDE POISONING HAZARD

Failure to follow the steps outlined below for each appliance connected to the venting system being placed into operation could result in carbon monoxide poisoning or death.

The following steps shall be followed for each appliance connected to the venting system being placed into operation, while all other appliances connected to the venting system are not in operation:

- 1) Seal any unused openings in the venting system.
- 2) Inspect the venting system for proper size and horizontal pitch, as required in the National Fuel Gas Code, ANSI Z223.1/NFPA 54 or the Natural Gas and Propane Installation Code, CSA B149.1 and these instructions. Determine that there is no blockage or restriction, leakage, corrosion and other deficiencies which could cause an unsafe condition.
- 3) As far as practical, close all building doors and windows and all doors between the space in which the appliance(s) connected to the venting system are located and other spaces of the building.
- 4) Close fireplace dampers.
- 5) Turn on clothes dryers and any appliance not connected to the venting system. Turn on any exhaust fans, such as range hoods and bathroom exhausts, so they are operating at maximum speed. Do not operate a summer exhaust fan.
- 6) Follow the lighting instructions. Place the appliance being inspected into operation. Adjust the thermostat so appliance is operating continuously.
- 7) Test for spillage from draft hood equipped appliances at the draft hood relief opening after 5 minutes of main burner operation. Use the flame of a match or candle.
- 8) If improper venting is observed during any of the above tests, the venting system must be corrected in accordance with the National Fuel Gas Code, ANSI Z223.1/NFPA 54 and/or Natural Gas and Propane Installation Code, CSA B149.1.
- 9) After it has been determined that each appliance connected to the venting system properly vents when tested as outlined above, return doors, windows, exhaust fans, fireplace dampers and any other gas-fired burning appliance to their previous conditions of use.

INSTALLATION IN THE STATE OF MASSACHUSETTS

All installations in the State of Massachusetts must use the following requirements when installing, maintaining or operating direct-vent propane or natural gas-fired space heaters.

For direct-vent appliances, mechanical-vent heating appliances or domestic hot water equipment, where the bottom of the vent terminal and the air intake is installed below four feet above grade the following requirements must be satisfied:

1. If there is not one already present, on each floor level where there are bedroom(s), a carbon monoxide detector and alarm shall be placed in the living area outside the bedroom(s). The carbon monoxide detector shall comply with NFPA 720 (2005 Edition).
2. A carbon monoxide detector shall be located in the room that houses the appliance or equipment and shall:
 - a. Be powered by the same electrical circuit as the appliance or equipment such that only one service switch services both the appliance and the carbon monoxide detector.
 - b. Have battery back-up power;
3. Meet ANSI/UL 2034 Standards and comply with NFPA 720 (2005 Edition); and
4. Have been approved and listed by a Nationally Recognized Testing Laboratory as recognized under 527 CMR.

A CARBON MONOXIDE DETECTOR SHALL:

- a. Be located in the room that houses the appliance or equipment;
 - b. Be either hard-wired or battery powered or both; and
 - c. Shall comply with NFPA 720 (2005 Edition).
3. A product-approved vent terminal must be used, and if applicable, a product-approved air intake must be used. Installation shall be in strict compliance with the manufacturer’s instructions. A copy of the installation instructions shall remain with the appliance or equipment at the completion of the installation.
 4. A metal or plastic identification plate shall be mounted at the exterior of the building, four feet directly above the location of vent terminal. The plate shall be of sufficient size to be easily read from a distance of eight feet away, and read “Gas Vent Directly Below”.

SPECIFICATIONS AND DIMENSIONS

Your floor furnace and drafthood are packed together in one master carton. The carton containing the floor furnace also contains the insulated staples, furnace key and lighter rod. The drafthood is packed in its own carton within the master pack and contains screws and rope-like gasket material for attaching and sealing the draft hood to the floor furnace. Check the model numbers on the two cartons to be sure they match.

MODEL NUMBERS	3005622	5005622	6205622
GAS TYPE	NATURAL GAS	NATURAL GAS	NATURAL GAS
HEIGHT WIDTH LENGTH	29 1/4" 14" 32"	29 1/4" 22" 32"	29 7/8" 24" 38"
INPUT BTU/hr. GAS INLET VENT SIZE / WALL OPENING	30,000 1/2" 4"	50,000 1/2" 4"	62,000 1/2" 4"
OVERALL GRILLE SIZE SIZE OF FLOOR OPENING FLOOR TO CENTER LINE OF VENT	16" X 34 1/8" 14 1/4" X 32 1/4" 22"	24" X 34" 22 1/2" X 32 1/2" 22"	26" X 40" 24 1/2" X 38 1/2" 22"
APPROXIMATE WEIGHT	96 LBS.	120 LBS.	146 LBS.

INTRODUCTION

THIS IS A GAS-FIRED, GRAVITY VENTED FLOOR FURNACE THAT WILL OPERATE SAFELY AND PROVIDE AN EFFICIENT SOURCE OF HEAT WHEN INSTALLED, OPERATED AND MAINTAINED AS RECOMMENDED IN THESE INSTALLATION AND OPERATING INSTRUCTIONS. READ THESE INSTRUCTIONS THOROUGHLY BEFORE INSTALLING, SERVICING, OR USING THE APPLIANCE. IF YOU DO NOT UNDERSTAND ANY PART OF THESE INSTRUCTIONS, CONSULT LOCAL AUTHORITIES, OTHER QUALIFIED INSTALLERS, SERVICE TECHNICIANS, THE GAS SUPPLIER OR THE MANUFACTURER.

HELPFUL INSTALLATION INFORMATION

Do not attempt to heat through more than one doorway in any direction to adjoining rooms.

Always over-estimate the amount of heat required rather than under-estimate it. Always use the next size floor furnace above your actual heating requirements.

Seal all cracks around windows, doors, and attic access doors or significant heat loss will occur.

INSTALLATION REQUIREMENTS

Listed below are steps that are part of a floor furnace installation. You must see that each step is followed closely so that the floor furnace will provide maximum efficiency with safe operation.

YOU MUST:

1. Locate the floor furnace in the best available space for safe and efficient operation.
2. Provide fresh air for combustion and venting.
3. Cut and frame the floor opening so that the floor furnace fits properly.
4. Attach the draft hood and connect the vent pipe in compliance with applicable codes.
5. Connect an adequate gas supply to the floor furnace.
6. Select the best location for the thermostat.
7. Check and adjust the floor furnace for safe and efficient operation.

If you have any doubts about the correct way to install a floor furnace, contact local authorities or agency, or your gas supplier. If local or state codes require that your floor furnace installation be inspected by local authorities, do so after the floor furnace is installed and before it is put into service.

SAFETY

1. **WARNING:** Improper installation, adjustment, alteration, service or maintenance can cause property damage, personal injury or loss of life. Installation and service must be performed by a qualified installer, service agency or the gas supplier keep burner and control compartment clean. See installation and operating instructions accompanying appliance. Due to high surface temperatures keep children, clothing and furniture away.
2. Follow all applicable codes and ordinances. If there are none, follow the installation standards, latest edition of NFPA54/ANSI.Z223.1. A copy may be obtained from the **National Fire Protection Association**, 1 Batterymarch Park; Quincy, MA, 02269.
3. DO NOT install this floor furnace in a recreational vehicle, trailer or mobile home.
4. DO NOT operate this floor furnace unless it is connected to appropriately installed and maintained vent system. Do not exhaust flue gases under the floor for any reason.
5. Be sure this floor furnace is equipped for the type gas you intend to use.
6. Locate the thermostat in a room or space that cannot be separated by a door or other means from the room or space in which the floor furnace grill is installed.
7. Never use a match, candle, flame or other source of ignition to check for gas leaks. Use only soapy water or liquid detergent.
8. Adequate air for combustion and venting must be provided.
9. If it is suspected that rising water or seepage may enter the floor furnace, turn off the gas immediately. Do not use this floor furnace if any part has been under water. Immediately call a qualified service technician to inspect the floor furnace and to replace any part of the control system and any gas control which has been under water.
10. Have your floor furnace and vent system inspected before using and at least annually by a qualified service technician.
11. The grill becomes hot when the floor furnace is in operation. Children must be closely supervised when in the presence of any heating appliance. Contact with bare skin may result in severe burns. Keep children off the grill.
12. Before cleaning or servicing the floor furnace, turn off the gas and allow it to cool. This will prevent burns.
13. Always leave the grill in place except when cleaning or servicing the floor furnace.
14. Never operate the floor furnace without the sight glass assembly in place, or with the glass broken or missing.

FLOOR FURNACE LOCATION

Choose a central location such as a hallway but where occupant traffic is minimal & where there is at least 18 inches of room from two adjoining sides of the grill to the nearest wall so that occupants may pass without stepping on the grill. **Figure 1**

Give consideration to available air for combustion, location in relation to chimney or vent system, thermostat location, clearance under floor, clearance to combustibles, and heat circulation. Any open foundation is unacceptable as wind can cause pilot outage and reduced efficiency. Keep furniture, drapes, doors, and other combustible materials at least 12 inches from the edge of the grill. Never locate the floor furnace closer than 8 inches to a wall and never in a corner. **Figure 2**

Two adjoining sides of the floor furnace must have a minimum clearance of 18". **Figure 1**

After selecting a location in the home, go beneath the floor and check the position of the floor furnace in relation to joists, supporting columns, electric wires, water pipes and walls. There must be a minimum of 6 inches clearance between the top of the draft hood and floor joists. There must also be at least 6 inches clearance between the bottom of the floor furnace and the ground. **Figure 3**

In order to find the location beneath the floor it may be necessary to drill a 1/16 inch hole through the floor approximately in the center of the selected floor furnace location to use as a reference point when measuring under the floor.

FRESH AIR FOR COMBUSTION AND VENTING

Adequate air for combustion and venting must be provided. **Any reduction in the necessary amount of fresh air can result in an oxygen starved flame that emits Carbon Monoxide (C.O.) an odorless, colorless gas that can cause serious injury or death.**

A ventilated crawl space will usually provide enough fresh air. However, you must check to see that there is 1 square inch of free area of ventilation opening for each 1,000 BTU's input of your floor furnace.

To compensate for the loss of square inches of ventilation due to the use of louvers, grills, or screens add approximately 50% to the square inches calculated. Screen all openings with mesh not less than 1/4 inch to prevent animals or insects from entering the crawl space.

All type "B" vents shall extend in a generally vertical direction with offsets not exceeding 45 degrees, except that a vent system having not more than one 60 degree offset may be allowed.

Any angle greater than 45 degrees from the vertical is considered horizontal. The total horizontal run of a vent plus the horizontal vent connector shall be not greater than 75 percent of the vertical height of the vent.

Any offsets used should be as far above the draft hood as possible to allow a venting action to begin before any restriction is encountered.

FIGURE 1

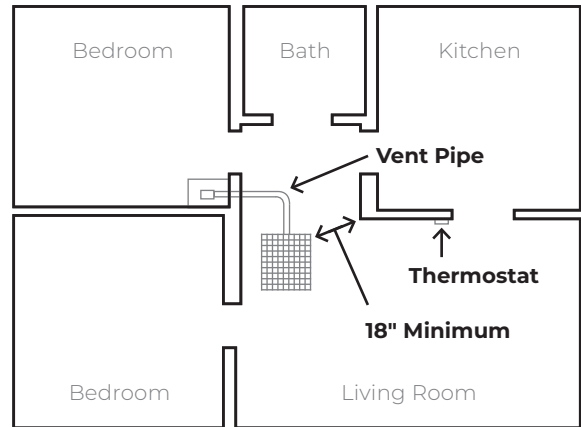


FIGURE 2

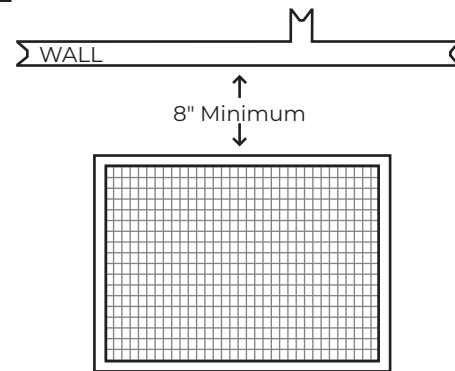
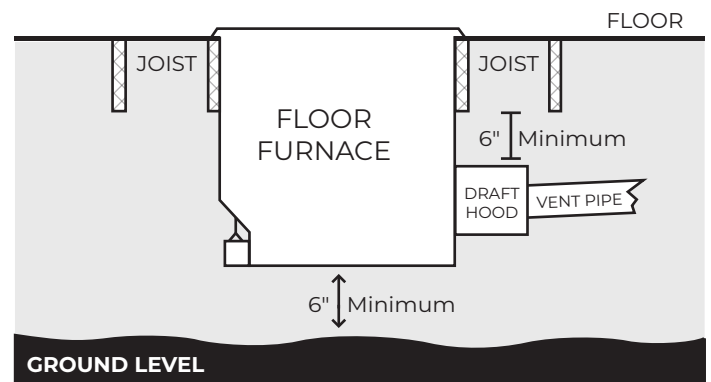


FIGURE 3



EXAMPLE 1

50,000 BTU FLOOR FURNACE + 1,000 = 50 SQUARE INCHES

EXAMPLE 2

If another gas burning appliance, such as a water heater, is installed within the same crawl space or basement: Add the BTU's of the other appliance to those of the floor furnace before calculating the total ventilation needed.

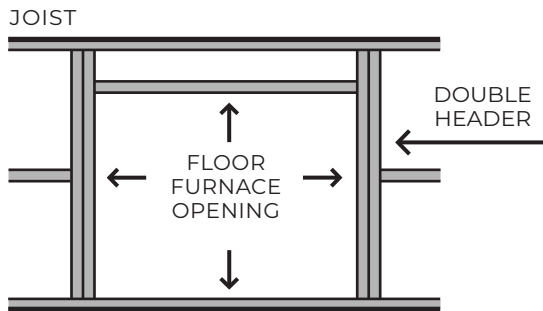
50,000 BTU FLOOR FURNACE + 40,000 BTU WATER HEATER + 1,000 = 90 SQUARE INCHES

CUTTING THE FLOOR OPENING

Consult the specification chart on page 5 for the correct floor opening size for the floor furnace to be installed.

Lay out the opening size on the floor by using masking tape or cutting a piece of cardboard to the opening size. The opening must be cut square. If you have determined that there is nothing under the floor to interfere with the installation, you are now ready to cut the opening. Start by drilling 1/2 inch holes inside the lines of each corner. Use a keyhole saw or a properly grounded saber saw to cut along the lines making sure to keep the lines straight and the corners square. If the opening dimensions are not correct, it may be difficult to fit the floor furnace into the opening. Forcing the floor furnace through the opening may create stresses that cause the floor furnace to be excessively noisy.

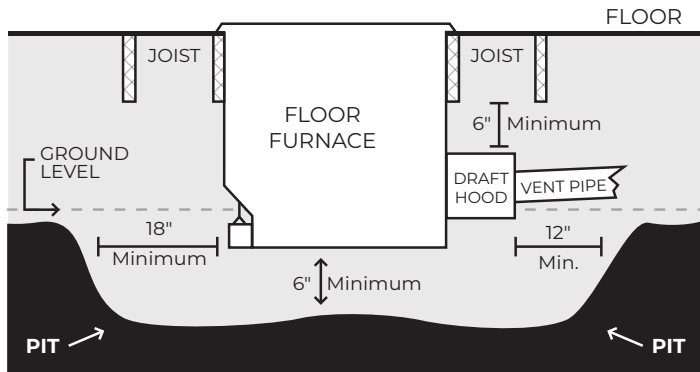
FIGURE 4



Most installations will require cutting a floor joist

Cut the floor joist so that double headers of the same size lumber can be used to frame around the floor furnace. Double headers are necessary to maintain the strength of the floor.

FIGURE 5



IF THE CLEARANCE BETWEEN THE BOTTOM OF THE FLOOR FURNACE AND THE GROUND IS NOT ADEQUATE:

Dig a pit that will provide clearances of at least 6 inches under the floor furnace, 18 inches on the end where the gas valve is located and 12 inches on the other three sides. Slope the sides of the pit to prevent dirt from caving into the pit.

If there is any possibility that water may accumulate in the pit, a drain must be provided. If a drain cannot be provided, fabricate a waterproof pan of at least 16 ounce

per square foot sheet copper or a suitable substitute. Size the pan to provide 6 inches clearance to the bottom of the floor furnace, 18 inches on the side where the gas valve is located and 6 inches on the other three sides. The sides of the pan must extend at least 4 inches above the ground.

Anchor the pan to prevent it from floating up against the bottom of the floor furnace when water is present. Failure to do so may result in the pan rising to seal off air for combustion and venting. If this occurs, carbon monoxide (C.O.) a colorless, odorless gas may be formed which can cause serious injury or death.

SETTING UP THE FLOOR FURNACE

Lay aside the grill and package containing the thermostat, wires, etc., grasp two opposite sides of the outer casing and lower the floor furnace gently through the opening. Support the furnace evenly by the flange at the top of the outer casing. Trim back carpet, padding, and other types of floor covering so that the entire flange rests directly on the floor. If not evenly supported on all four sides, stresses may be created that cause excessive expansion and contraction noises as the floor furnace heats and cools. Anchor the floor furnace in place by driving two galvanized roofing nails through each side of the outer casing into the double headers approximately 1 inch below the flange. Place the grill into position making sure it lays flat against the outer casing flange. Leave the grill in place until time to light the furnace to keep occupants from falling into the furnace.

INSTALLING THE DRAFT HOOD

The draft hood must be installed in the same atmospheric pressure zone as the combustion air inlet. The draft hood is packed in its own carton within the master pack. Make sure the draft hood received is the correct one for the floor furnace being installed. Included in the carton are two rope-like gaskets and 7 sheet metal screws. Begin by pressing the rope-like gasket material into the groove provided around the two male vent outlets on the floor furnace. **Figures 6A and 6B**

Slip the two female couplings in the draft hood over the male outlets extending through the outer casing, making sure the gaskets remain in place. Press the draft hood tight against the casing and use the 7 sheet metal screws to secure it tightly. All 7 screws must be used to prevent leakage of vent gases.

Never install or operate a floor furnace without a draft hood. To do so could result in serious injury, property damage or death.

CONNECTING THE VENT

Refer to the specifications on **page 5** for the correct vent pipe size. Familiarize yourself with local codes or contact authorities to determine the approved material and method of installing the vent. **NOTE:** An existing vent that has worked for years may not be adequate for today's design because of higher efficiency requirements that result in lower stack temperatures.

FIGURE 6A

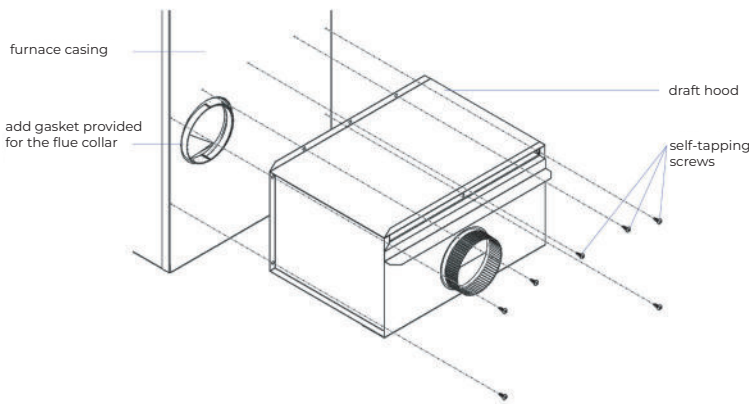


FIGURE 6A - 90N30(1,2)B

FIGURE 6B

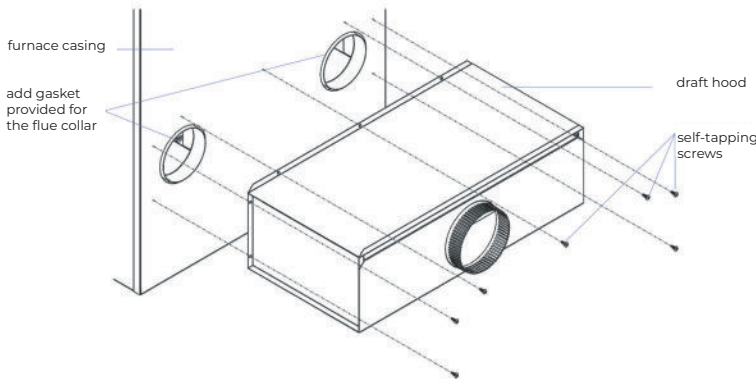


FIGURE 6B-90N50(1,2)B, 90N62(1,2)B

Class "B" double wall pipe is acceptable to most codes, and if installed in accordance with the pipe manufacturers instructions provides the safest and most efficient vent system. Class "B" pipe has an integral lock for securing sections together. These locks must be properly fitted together. Fasten pipe to draft hood using at least three self-tapping sheet metal screws at equal intervals around the circumference of the pipe. Support horizontal pipe at three-foot intervals with metal strapping attached to joists.

The floor furnace you have selected was carefully designed to operate both safely and efficiently when vented with the proper size vent listed for each furnace on **page 5**.

We do not recommend doing so, but if you must vent into a masonry chimney, use the following instructions.

If the floor furnace is vented into a masonry chimney, the chimney must be inspected to determine that it is clear and free of obstructions and that it is safe for the intended use. The inside of the chimney must be at least 6 inches in diameter or 6 inches by 6 inches if rectangular. Insert the vent pipe into the chimney through a masonry or noncombustible corrosion-resistant thimble of the correct diameter. Do not push the pipe farther than 1/4 inch into the inside of the chimney. **Figure 7A** Pushing the pipe farther into the inside of the chimney may cause partial or complete blockage as illustrated in **Figure 7B**.

Even following these instructions you may still have a venting problem because of the larger area to be heated inside the chimney. This could cause pilot outage, odors coming from the furnace, or noise due to excessive heat not being vented out of the combustion chamber. If you experience any of these problems, we recommend running the proper size "B" type vent pipe down the chimney and connecting to the horizontal run of vent pipe with a 90-degree elbow inside the chimney. **Figure 7C**

Extend the vent system at least 3 feet above the point where it exits the roof and at least two feet higher than any part of the roof system within 10 feet. Terminate with a listed or approved cap. **Figure 8**

⚠ WARNING: IMPROPER OR UNSAFE VENTING PRESENTS A HAZARD THAT MAY RESULT IN PROPERTY DAMAGE, BODILY INJURY OR LOSS OF LIFE. LISTED BELOW ARE SOME GUIDELINES TO OBSERVE WHEN INSTALLING THE VENT SYSTEM.

1. Never reduce the vent pipe to a size smaller than the outlet on the draft hood.
2. Never run pipe more than 15 feet horizontally.
3. The total horizontal run of a vent plus the horizontal vent connector shall be not greater than 75% of the vertical height of the vent.
4. Slope horizontal pipe upwards at least 1/4 inch per lineal foot.
5. Do not use more than one elbow. An elbow restricts the flow of vent gases by approximately 10%.
6. Use a noncombustible thimble when connecting vent pipe to a masonry chimney.
7. Do not insert vent pipe farther than 1/4 inch into the interior of the chimney.
8. Single wall pipe must not be used.
9. Never connect the vent pipe to any chimney or vent system serving a solid fuel-burning appliance.
10. If another appliance is being vented through the vent system with the floor furnace, the vent pipe must be increased to compensate for the additional load.
11. Never install any kind of damper in the vent system.
12. Do not use transit or any other type of ceramic pipe for venting.

FIGURE 7A - SAFE

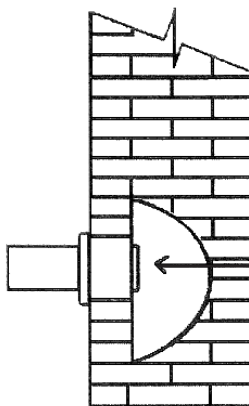
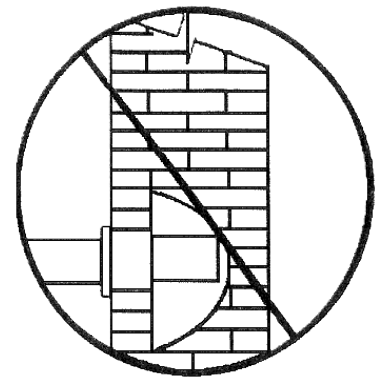
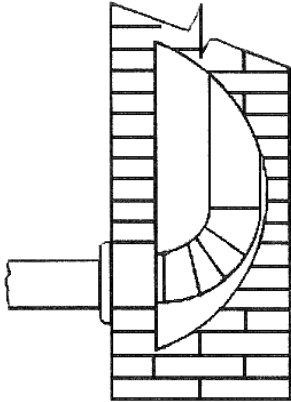


FIGURE 7B - UNSAFE



CONNECTING THE VENT

FIGURE 7C - RECOMMENDED



If more than one gas appliance is vented through a common vent system, the vent should be increased in size to accommodate the increased load. Consult your local code or the tables in the latest edition of NFPA54 / ANSI. Z223.1 for the correct size. If no local codes apply, use the following alternate method for sizing a vent connected to more than one appliance. The effective area of the vent must be not less than the area of the largest vent connection plus 50 percent of the areas of additional draft hood outlets.

The homeowner appreciates neatness in workmanship and the neat installation usually functions better than the sloppy one. Double check your work to verify that all clearances around the floor furnace and vent system are adequate and that the vent system is installed to code or pipe manufacturers specifications. **Figure 9**

FIGURE 8

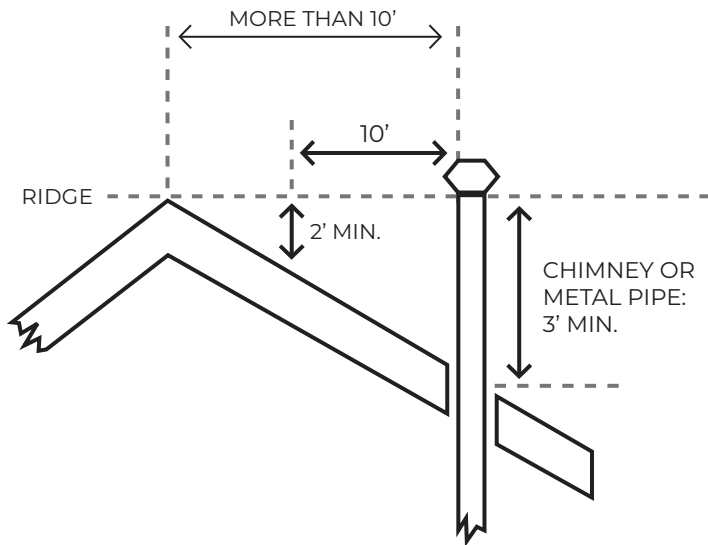
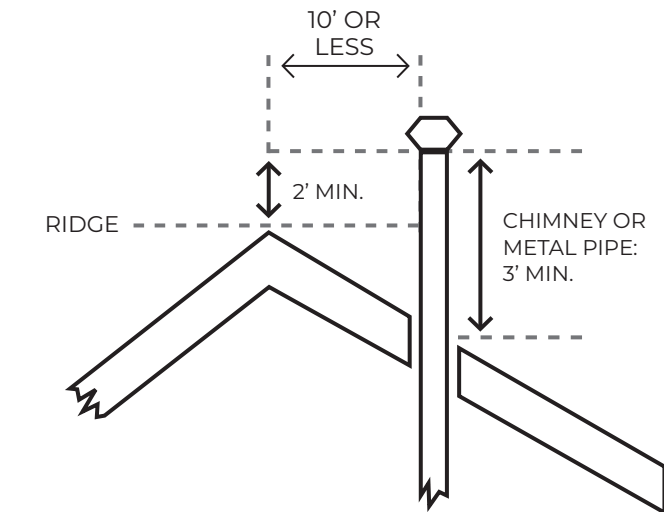
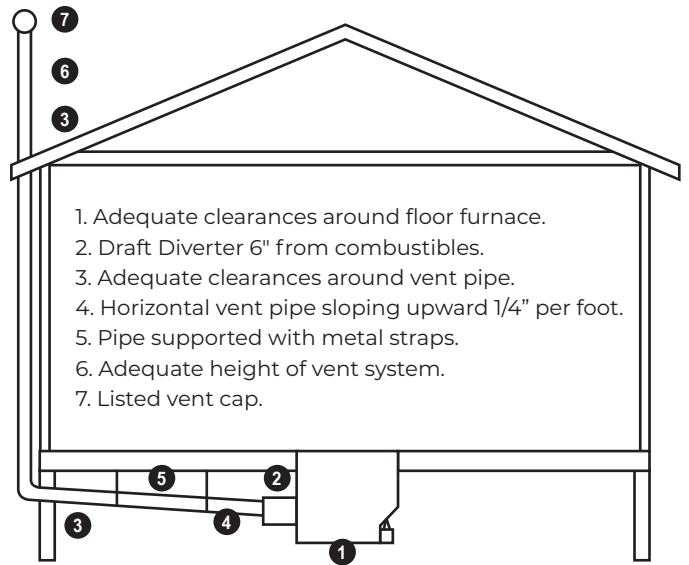


FIGURE 9 - TYPICAL INSTALLATION USING CLASS "B" VENT PIPE



GAS SUPPLY AND PIPING

The gas piping system must meet the requirements of local codes or the specifications of the servicing gas supplier. It must have adequate capacity to supply the floor furnace and any other appliance within the home with enough gas to maintain the full rated capacities without excessive pressure drop when all appliances are operating at full rate.

GAS PIPE SIZES - CAPACITY NATURAL GAS *				
LENGTH OF PIPE - FEET	INSIDE PIPE DIAMETER			CAPACITY BTU/hr INPUT
	1/2"	3/4"	1"	
10	132,000	278,000	520,000	
20	92,000	190,000	350,000	
30	73,000	152,000	285,000	
40	63,000	130,000	245,000	
50	56,000	115,000	215,000	
60	50,000	105,000	195,000	

* Based on heating value of 1,000 value of 1,000 BTU per cubic foot (specific gravity of 0.6) at 0.5 PSIG and a pressure drop of 0.3 inch water column.

GAS TUBING AND PIPE SIZES - CAPACITY PROPANE GAS *					
LENGTH OF PIPE FEET	COPPER TUBING OUTSIDE DIAMETER**		STEEL PIPE INSIDE DIAMETER***		CAPACITY BTU/hr INPUT
	1/2"	3/4"	1/2"	3/4"	
10	92,000	329,000	275,000	567,000	
20	62,000	216,000	189,000	393,000	
30	50,000	181,000	152,000	315,000	
40	41,000	145,000	129,000	267,000	
50	37,000	131,000	114,000	237,000	
60	35,000	121,000	103,000	217,000	

Support the piping or tubing at regular intervals with metal pipe strapping. See charts below.

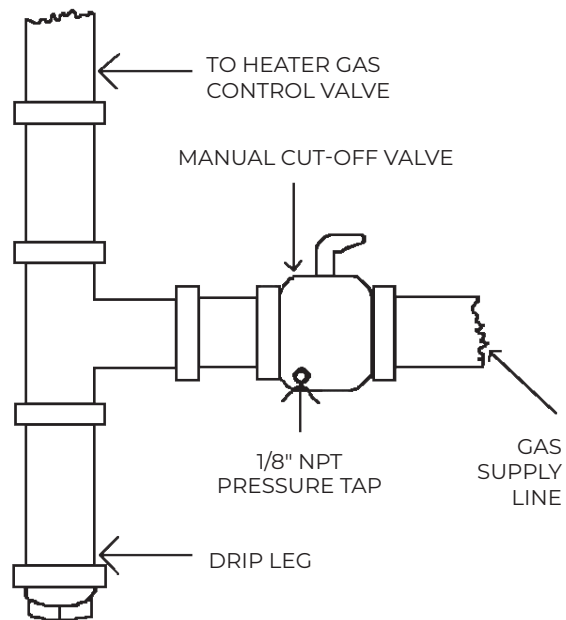
NOMINAL STEEL PIPE SIZE	SPACING OF SUPPORTS
1/2"	6'
3/4" or 1"	8'

NOMINAL SIZE OF TUBING O.D.	SPACING OF SUPPORTS
1/2"	4'
5/8" or 3/4"	6'

- Where local conditions include earthquake, tornado, unstable ground or flood hazards, give special consideration to increased strength and flexibility of piping supports and connections. Consult local authorities for recommendations.
- All unused openings in the piping system must be securely closed gas-tight.

Refer to **Figure 10** for the basic fittings you will need at the furnace.

1. Use black iron or steel pipe and fittings or other pipe and fittings that are approved by local codes.
2. Use pipe joint compound that is resistant to the action of Propane Gas or to any other chemical constituents of the gases to be conducted through the piping only on male threads.
3. Use two wrenches when making the connection to the valve to keep from bending the mounting bracket or manifold pipe. Do not over tighten as damage to the valve can occur.
4. Provide a 1/8" nominal pipe thread (NPT) plugged tapping for test gauge connection immediately upstream of the gas supply connection to the floor furnace.
5. Provide a sediment trap at least 6 inches long to trap dirt and moisture. Provide space to permit cleaning or emptying.
6. Use a ground joint union.
7. Install an approved manual shut-off valve.



GAS SUPPLY AND PIPING

ADDITIONAL PROPANE GAS REQUIREMENTS

8. Have all connections made at the storage tank by a licensed Propane Gas installer.
9. Have Propane Installer check all lines, piping, and connections from the storage tank to the floor furnace when the floor furnace is connected to the storage tank.
10. The regulator on the storage tank should be set at 11 inches water column.

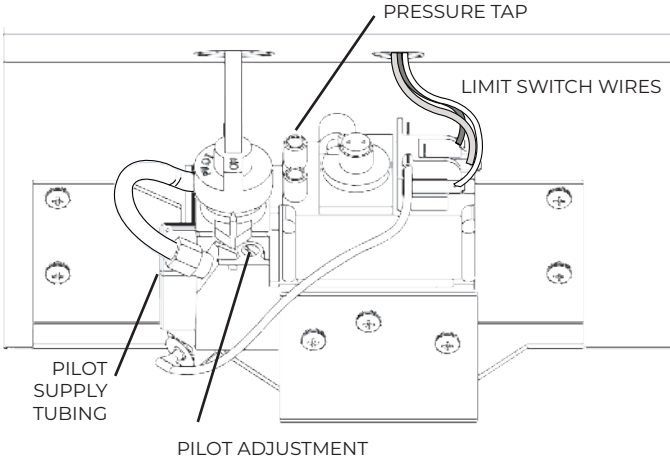
CHECKING THE GAS PIPING

All joints must be tested for leaks by applying pressure to the piping system. If the test pressure is equal to or less than 1/2 PSIG the floor furnace must be isolated from the gas supply piping system by closing the manual gas shut-off valve on the floor furnace. If the test pressure exceeds 1/2 PSIG, the floor furnace and its manual gas shut-off valve must be disconnected from the gas piping system before testing. **Failure to do so may result in damage to the pressure regulator in the gas valve resulting in overfiring. Overfiring can result in combustion chamber failure, property damage, bodily injury or death.**

Use a mixture of soap and water or liquid detergent to check each joint. Leaks will be indicated by bubbles forming. Correct even the smallest leak at once. Since some soaps may cause corrosion, or stress cracking, rinse the gas piping exterior with water after testing to remove the soap.

WARNING: When purging gas piping, the area around the floor furnace must be well ventilated to allow any gas to dissipate. Liquid Petroleum (Propane) Gas is heavier than air and may puddle in low places under the floor. Check thoroughly to determine that no gas is present before lighting the floor furnace. Failure to do so could result in property damage, bodily injury or death.

FIGURE 11



WARNING: NEVER USE A MATCH, CANDLE, OPEN FLAME OR OTHER METHOD WHICH COULD PROVIDE A SOURCE OF IGNITION TO TEST FOR LEAKS. TO DO SO MAY RESULT IN PROPERTY DAMAGE, BODILY INJURY OR DEATH.

CAUTION: Label all wires prior to disconnection when servicing controls. Wiring errors can cause improper and dangerous operation. Verify proper operation after servicing.

When you have determined that there are no leaks in the gas piping system you may purge the system of air. Disconnect the pilot supply tubing from the right side of the valve. **Figure 12**

Turn the knob on the gas valve to the pilot position. Press the knob down and hold until you smell gas at the pilot supply opening. Release the knob and turn it to the off position. Reconnect the pilot supply tubing and check for leaks with soap and water or liquid detergent.

THERMOSTAT INSTALLATION

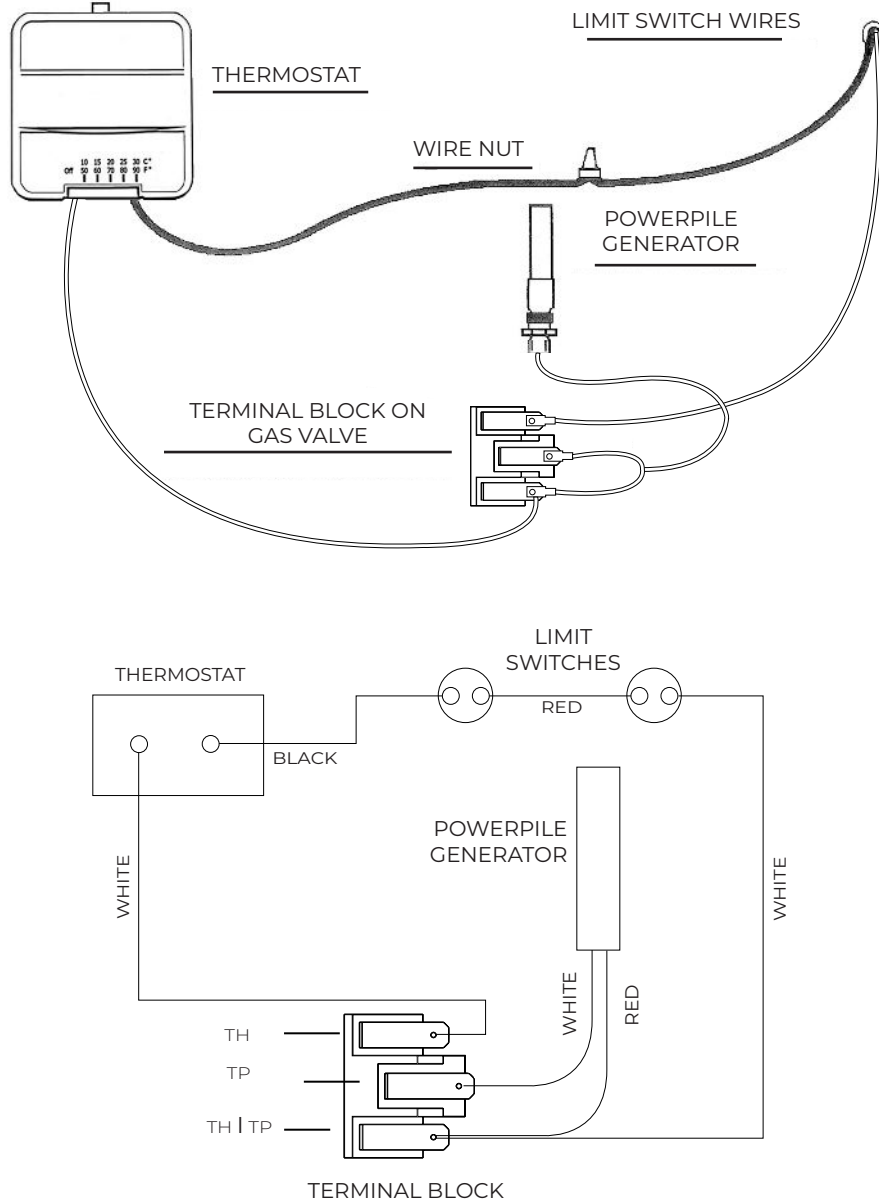
THERMOSTAT KIT 8967 SOLD SEPARATELY

Follow the instructions included with the thermostat. Locate the thermostat approximately five feet above the floor. Always mount the thermostat on an inside wall where it won't be affected by heat or cold sources such as direct sunlight, televisions, fireplaces, hidden hot or cold water pipe, drafts, etc. The thermostat must never be installed in an adjoining room where a door can be closed between the thermostat and floor furnace. This floor furnace is equipped with a self-generating control system. Never connect to a 24-volt transformer or to the household electric system. Do not use more thermostat wire than what is included with the floor furnace.

WIRE AS INDICATED: Figure 12

- STEP 1** Connect black limit switch wire to black thermostat wire using wire nut. (Nut not furnished).
- STEP 2** Connect white thermostat wire to terminal on gas valve marked "TH TP".
- STEP 3** Connect white limit switch wire to terminal on gas valve marked "TH".
- STEP 4** Connect the thermostat wires to the thermostat following the instructions provided by the thermostat manufacturer.

FIGURE 12



LIGHTING INSTRUCTIONS

FOR YOUR SAFETY READ BEFORE LIGHTING

WARNING:

If you do not follow these instructions exactly, a fire or explosion may result causing property damage, personal injury or loss of life.

A. This appliance has a pilot which must be lighted by hand. When lighting the pilot, follow these instructions exactly.

B. **BEFORE LIGHTING** smell all around the appliance area for gas. Be sure to smell next to the floor because some gas is heavier than air and will settle on the floor.

WHAT TO DO IF YOU SMELL GAS:


- **DO NOT** try to light any appliance.
- **DO NOT** touch any electric switch.
- **DO NOT** use any phone in your building.
- Immediately call your gas supplier from a neighbor's phone. Follow the gas supplier's instructions.

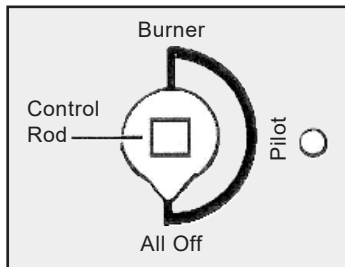
- If you cannot reach your gas supplier, call the fire department.

C. Use only your hand to push in or turn the gas control knob. Never use tools. If the knob will not push in or turn by hand, don't try to repair it, call a qualified service technician. Force or attempted repair may result in a fire or explosion.

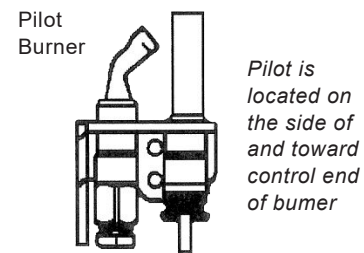
D. Do not use this appliance if any part has been under water. Immediately call a qualified service technician to inspect the appliance and to replace any part of the control system and any gas control which has been under water.



LIGHTING INSTRUCTIONS

1. **STOP!** Read the information on the safety label.
2. Set thermostat to lowest setting.
3. Remove the floor grille.
4. Place the furnace key on the control rod, push down slightly and turn clockwise  to "ALL OFF."



NOTE:
Control rod cannot be turned from "PILOT" to "ALL OFF" unless the control rod is pushed down slightly.



5. Wait five (5) minutes to clear out any gas. Then smell for gas, including near the floor. **If you smell gas, STOP!** Follow "B" in the information on the safety label. If you don't smell gas, go to the next step.
6. Remove the sight glass assembly from the opening on top of the heat exchanger.
7. Locate the pilot burner looking down through the sight glass opening.
8. Turn the control rod counterclockwise  until the pointer is on "PILOT."
9. Locate the red piezo igniter button beside the control rod.
10. Press down on the control rod with the furnace key. Immediately begin a series of pushing and releasing the red piezo igniter while observing the pilot through the sight glass opening, continue to spark until pilot is lit or use the lighter rod with match. Continue to hold the control rod down for about one (1) minute after the pilot is lit. If it goes out, repeat steps 4 through 10.
 - If control rod does not pop up when released, STOP & immediately call your service technician or gas supplier.
 - If the pilot will not stay lit after several tries, turn the control rod to "OFF" and call your service technician or gas supplier.
11. Replace the sight glass assembly and turn the control rod counterclockwise  to "BURNER" position. Remove furnace key and replace the floor grille.
12. Set thermostat to desired temperature.

TURNING OFF GAS TO APPLIANCE



1. Set the thermostat to its lowest setting.
2. Allow floor grille to cool, then remove.
3. Place furnace key on control rod, push slightly and turn clockwise  to "ALL OFF." Do not force.
4. Replace floor grille.

ADJUSTING THE BURNER

VENT SYSTEM

After the floor furnace has been burning for five minutes, hold a match or candle under the draft hood at the air intake area. If the vent system is working properly, the flame will be pulled into the air inlet of the draft hood. If the vent system is not working properly, turn the floor furnace off immediately and refer to the installation instructions or local code for proper installation procedure.

ADJUSTING THE PILOT FLAME

Refer to **Figure 13** for the correct size pilot flame. If adjustment is necessary, refer to **Figure 11** for the location of the pilot adjustment screw. Using a standard screwdriver, remove the pilot adjustment screw cover. Insert a small screwdriver into the pilot adjustment screw and turn clockwise  to decrease the flame or counterclockwise  to increase the flame. If the flame is too low, the safety pilot may cause all of the gas to be cut off.

NOTE: The gas supply to the pilot is unregulated. When line pressure exceeds 7" Natural Gas, or 11" Propane Gas, a pilot adjustment must be made.

BURNER ORIFICE

This appliance equipped only for altitudes 0- 2,000 feet. If installed above 2,000 feet, the BTU input must be reduced 4% per 1,000 feet. Orifice change must be completed by a qualified installer or service technician. See the following orifice chart for the proper orifice for a specific elevation.

HIGH ALTITUDE KITS AND ORIFICE SIZING					
MODEL NO.	0 - 2,000'	2,001 - 4,000	4,001 - 6,000	6,001 - 8,000	KIT NO.
3005622 CONVERTED TO PROPANE	#52	#53	.057"	#54	M118745
3005622	#38	#41	#43	44	M118742
5005622 CONVERTED TO PROPANE	.083"	#46	#48	#50	M118746
5005622	.131"	#30	#31	#32	M118743
6205622 CONVERTED TO PROPANE	#42	#43	#44	#45	M118747
6205622	#26	#27	#28	#29	M118744

GAS CONVERSION KITS	
DESCRIPTION	KIT NO.
NATURAL GAS TO PROPANE FOR 30056 SERIES	M118735
NATURAL GAS TO PROPANE FOR 50056 SERIES	M118737
NATURAL GAS TO PROPANE FOR 62056 SERIES	M118738

ADJUSTING THE BURNER

After the floor furnace has been burning 15 minutes, remove the bottom pan from the outer casing exposing the complete burner assembly. Loosen the screw at the bottom side of the sliding air shutter. Slide the air shutter closed until yellow tips start to appear at the top of the flame. **Figure 15**

Now open the shutter slightly beyond the point that the yellow disappears and the flame turns blue. **Figure 16** Airborne dust particles may cause flashes or streaks of yellow flame as they are drawn into the flame but will have no effect on the efficiency of the floor furnace. If you are satisfied that the burner is properly adjusted, tighten the set screw to lock the shutter in position. Replace the bottom pan. Check air shutter setting at least twice each season to assure that changing conditions are not causing yellow tipping.

FIGURE 14

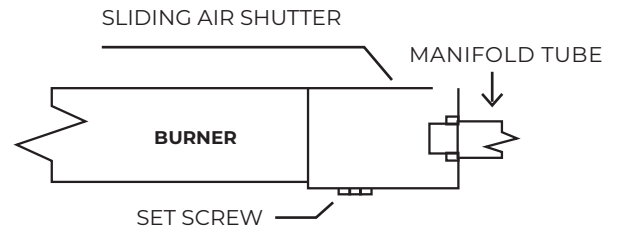
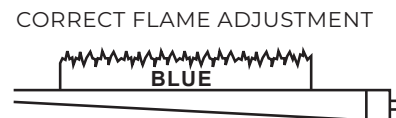


FIGURE 15



FIGURE 16



If difficulty in adjusting the burner is experienced, it may be the result of incorrect gas supply pressure or manifold pressure. Pressure can only be checked and adjusted by a trained service technician using instruments designed for that purpose.

! WARNING: DO NOT ATTEMPT TO CHANGE PRESSURE SETTINGS WITHOUT PROPER TRAINING AND INSTRUMENTS. TO DO SO MAY CAUSE YOUR FLOOR FURNACE TO MALFUNCTION RESULTING IN PROPERTY DAMAGE, BODILY INJURY, OR DEATH.

THE FOLLOWING INFORMATION IS PROVIDED FOR USE BY A TRAINED SERVICE TECHNICIAN WITH MEASURING INSTRUMENTS:

MINIMUM INLET PRESSURE

Natural Gas 5.0 Inches Water Column
 Propane Gas 11.0 Inches Water Column

MAXIMUM INLET PRESSURE

Natural Gas 7.0 Inches Water Column
 Propane Gas 13.0 Inches Water Column

(If the inlet pressure is found to exceed 13.0 inches water column, check the performance of the control valve thoroughly as damage may have occurred. If manifold pressure cannot be adjusted, replace the control valve).

MANIFOLD PRESSURE

Natural Gas 4.0 Inches Water Column
 Propane Gas 10.0 Inches Water Column

OPTIONAL OPERATION

Your floor furnace has been designed to meet all safety requirements of the American National Standards Institute and government regulations by offering two modes of operation.

OPTION 1


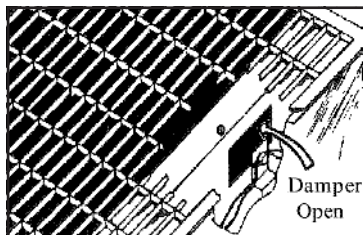
Place the furnace key on the damper control rod **Figure 17-A** & tum counterclockwise  until the warning flag is concealed and the damper is open. Your floor furnace will now cycle on and off maintaining a moderate grill temperature and an even room temperature. Your floor furnace will function best on this setting during mild weather.

FIGURE 17-A



IN MILD WEATHER, OPERATE FURNACE WITH DAMPER OPEN.

Furnace will cycle on and off maintaining a moderate grill temperature and an even room temperature.

OPTION 2


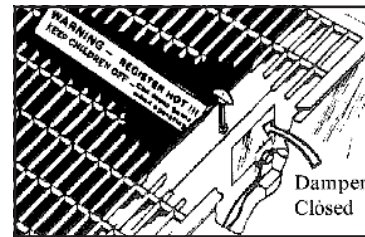
Turn the furnace key clockwise  until the warning flag reading "WARNING - GRILL IS HOT - Keep off - can cause burns" is visible and the damper is closed **Figure 17-B**. The limit control will now cease to function and the floor furnace will now put out the maximum amount of heat until the room temperature reaches the thermostat setting. Use this option only in extremely cold weather. If furnace continues to cycle on limits, assure that damper door is 100% closed by adjusting damper door pin if necessary.

FIGURE 17-B



IN EXTREMELY COLD WEATHER, CLOSE DAMPER
 (Which Exposes the Warning Plate).

Furnace will then put out maximum amount of heat until room temperature reaches setting on wall thermostat.

LIMIT SWITCH TEMPERATURE SETTINGS

30056 SERIES - 140 °F
 50056 SERIES - 160 °F
 62056 SERIES - 180 °F

! WARNING: Floor furnace grills become hot when furnace is in operation. Contact of bare skin with grill may result in severe burns. Keep children off, provide fence or register guard for their protection.

MAINTENANCE

CAUTION: Label all wires prior to disconnection when servicing controls. Wiring errors can cause improper and dangerous operation.

For proper operation, Floor Furnace must be kept clean. At regular intervals turn control valve to off, let cool, remove register and clean dust and foreign material from jacket with vacuum cleaner.

Have the Floor Furnace checked by a qualified service technician for venting system, pilot, and burner operation prior to its use each year.

Follow a regular service and maintenance schedule for safe and efficient operation.

Keep flammable materials away from floor furnace area.

Be sure not to obstruct combustion and ventilation air.

TO CLEAN BURNER

1. Remove bottom pan from outer casing.
2. Remove 2 screws from burner support bracket.
3. Remove 2 screws from pilot bracket allowing burner to slide off of manifold and out of floor furnace.
4. Examine the burner. If any distortion is noticed, replace burner.
5. Clean burner ports by inserting a toothpick in ports to remove any debris that might have accumulated.
6. Inspect burner for spider webs or dust buildup during the off-season. If necessary, wash out with garden hose.
7. Re-install and adjust burner.

⚠ WARNING: DO NOT USE ANY KIND OF SOLVENT OR CLEANING FLUID TO CLEAN YOUR FLOOR FURNACE. IT MAY LEAVE A RESIDUE OR INVISIBLE COATING THAT WILL BURN OR SMELL WHEN YOU TURN YOUR FLOOR FURNACE ON. USE ONLY A DAMP CLOTH.

Repair service must be performed by a qualified service technician. The floor furnace must be inspected before initial use. An annual cleaning of floor furnace and safety performance check should be made by a qualified service technician. More frequent cleaning may be required when exposed to the excessive lint conditions due to carpeting and bedding material, etc. It is imperative that the control compartment, burners, and circulating air passageways of the floor furnace be kept clean. Any safety screen or guard removed for servicing the floor furnace must be replaced prior to operating heater.

Examine the entire venting system as a routine part of the safety performance check on an annual basis.

⚠ WARNING: THIS IS A GAS-FIRED FLOOR FURNACE. KEEP THE AREA CLEAR OF GASOLINE AND OTHER FLAMMABLE VAPOR AND LIQUIDS. ALL COMBUSTIBLE MATERIAL MUST BE KEPT CLEAR OF THIS AREA TO AVOID FIRE OR EXPLOSION.

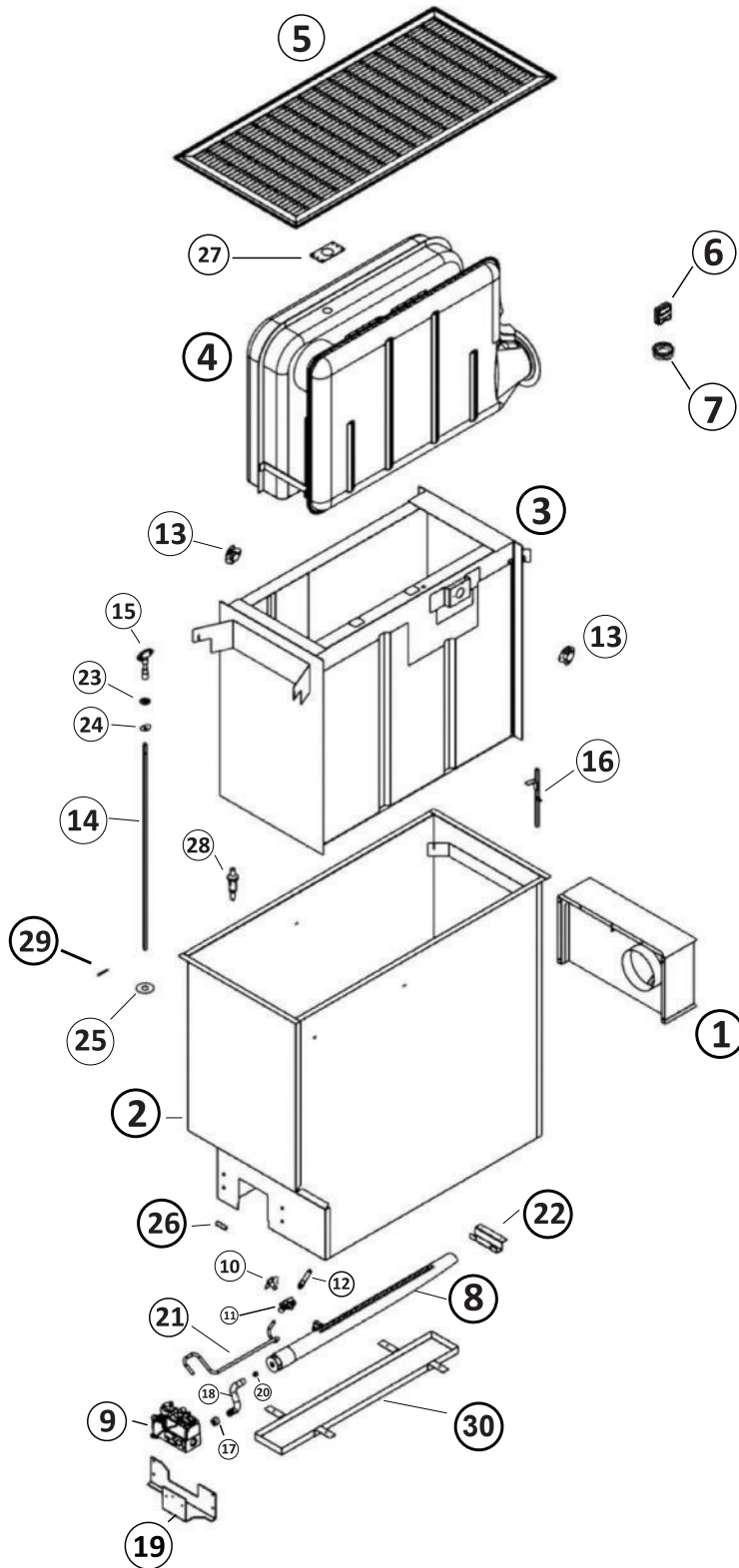
WILLIAMS GAS FLOOR FURNACE PARTS LIST

Ref. No.	Replacement Part Description	3005622	5005622	6205622
1	Draft hood (with gasket)	23200-K	24075-K	24477-K
2	Casing	M118750	M118759	M118763
3	Liner	M118721	M118728	M118732
4	Heat exchanger (with gasket)	M118756	M118757	M118758
5	Top grille	23145-10	24175-10	24475-10
6	Thermostat (millivolt)*	P322016	P322016	P322016
7	Thermostat Wire*	P710000	P710000	P710000
8	Burner	74401	74401	74402
9	Gas valve (natural gas)	P323935	P323935	P323935
10	Igniter electrode	74350	74350	74350
11	Pilot (natural gas)	74410	74410	74410
12	Thermopile	P043801	P043801	P043801
13	Limit Switch**	74306	74307	74308
14	Control rod	24035	24035	24035
15	Key	P322445	P322445	P322445
16	Warning flag assembly	24068	24068	24068
17	Bushing for manifold/ gas valve	74414	74414	74414
18	Manifold	74416	74416	74416
19	Support bracket for gas valve	24430	24430	24430
20	Orifice (natural gas)	P090538	P332649	P090542
21	Pilot tube	M118719	M118719	M118775
22	Support bracket for burner	M118718	M118718	M118718
23	Retainer ring	50278	50278	50278
24	Indicator plate	1016967	1016967	1016967
25	Washer for control rod	24044	24044	24044
26	Grommet for wire harness	78060	78060	78060
27	Sight window	23150	23150	23150
28	Piezo Igniter	80016	80016	80016
29	Cotter pin	P500125	P500125	P500125
30	Burner pan assembly	24039	24039	24431
n/a	Gasket for heat exchanger	74530	74530	74532
n/a	Gasket, screws for draft hood	23225	24077	24077
n/a	Wire Harness	74320	74321	74322
n/a	Wire for igniter	74351	74351	74351
n/a	Lighting instruction set	24740	24740	24740
n/a	Installation kit	M118755	M118755	M118755
n/a	Instruction Manual	P323951	P323951	P323951

* Not included with the unit
** 2 required per unit

FLOOR FURNACE EXPLODED VIEW

ATTENTION: Contractors and qualified service technicians: We only sell parts through our wholesalers. For prompt parts service, contact the wholesaler from which you purchased your Williams heater.



NOTE: Parts & schematic drawings on current models are shown at: williamscomfort.com | Specifications subject to change without notice.

TROUBLESHOOTING YOUR FURNACE

MAIN BURNER - for qualified service technicians

ISSUE	POSSIBLE CAUSE(S)	CORRECTIVE ACTION
Flame Too Large	<ol style="list-style-type: none">1. Defective operator section of valve.2. Burner orifice too large.3. If installed above 2,000 ft.	<ol style="list-style-type: none">1. Replace complete valve.2. Check with local gas company for proper orifice size and replace.3. See burner orifice section, Page 15
Flame Pops Back	<ol style="list-style-type: none">1. Too much primary air.	<ol style="list-style-type: none">1. Adjust air shutter. Page 15
Noisy Flame	<ol style="list-style-type: none">1. Too much primary air.2. Noisy pilot.3. Bun in orifice (if it whistles or resonates).4. Excessive gas input.	<ol style="list-style-type: none">1. Adjust air shutter. Page 152. Reduce pilot gas with adjusting screw marked pilot on combination gas control valve. Page 153. Remove bun or replace orifice. (Do not enlarge orifices).4. See "Flame Too Large" section above.
Yellow Tip Flame (Some yellow tipping on propane gas is permissible)	<ol style="list-style-type: none">1. Too little primary air.2. Clogged main burner ports.3. Clogged draft hood.4. Linted up air shutter.	<ol style="list-style-type: none">1. Adjust air shutter. Page 152. Clean main burner ports. (Do not enlarge ports).3. Clean draft hood.4. Check for dust or lint at air mixer opening and around the shutter.
Floating Flame	<ol style="list-style-type: none">1. Blocked venting.2. Insufficient primary air.	<ol style="list-style-type: none">1. Clean flue passage ways to remove blockage.2. Adjust air shutter to increase primary air supply.
Gas Odor	<ol style="list-style-type: none">1. Chimney or vent obstruction.2. Drafts around appliance.3. Gas leak.	<ol style="list-style-type: none">1. Clean chimney or vent - replace if necessary.2. Eliminate drafts.3. Page 1
Delayed Ignition	<ol style="list-style-type: none">1. Pilot flame too small.2. Burner ports clogged near pilot.3. Low gas pressure.4. Pilot decreases in size when main burners come on.5. Air shutter open too far.6. Drafts around appliance.7. Bad venting.	<ol style="list-style-type: none">1. Check pilot orifice, close, increase pilot gas flow if necessary by adjusting at combination control valve. Page 152. Clean burner ports (Do not enlarge ports).3. Check gas supply pressure.4. Supply piping is inadequately sized. Consult local gas utility or competent installer.5. Close air shutter to proper setting as outlined in these instructions (slight yellow tipping is allowable on propane gas).6. Eliminate drafts.7. See "Venting".
Failure to Ignite	<ol style="list-style-type: none">1. Main gas off.2. Defective gas valve.	<ol style="list-style-type: none">1. Open all manual gas valves.2. Replace gas valve.
Condensation of Water Vapor	<ol style="list-style-type: none">1. Improper venting.	<ol style="list-style-type: none">1. See "Venting."
Burner Won't Turn Off	<ol style="list-style-type: none">1. Defective or sticking automatic valve.2. Excessive gas pressure (The supply gas pressure must not exceed 1/2 psi or 14" water column).	<ol style="list-style-type: none">1. Clean or replace valve.2. To connect this situation contact the utility supplying the gas.

ISSUE	POSSIBLE CAUSE(S)	CORRECTIVE ACTION
Incorrect Gas Input	<ol style="list-style-type: none"> 1. Gas input not checked. 2. Clogged orifice. 	<ol style="list-style-type: none"> 1. Recheck gas input. 2. Check orifice for clogging. If clogged, clean out the hole carefully with a smooth wood toothpick. (DO NOT in any way enlarge or distort it).
Not Enough Heat	<ol style="list-style-type: none"> 1. Appliance undersized 2. Thermostat set too low. 3. Incorrect supply pressure. 	<ol style="list-style-type: none"> 1. This is especially true when a dwelling or room is enlarged. Have the heat loss calculated and compare to the appliance output (70% of input). Your gas company or installer can supply you with this information. If appliance is undersized, replace with correct size unit. 2. Setting of thermostat. See "Lighting and Shutting Down Instructions." 3. Check supply pressure as outlined above.
Too Much Heat	<ol style="list-style-type: none"> 1. Thermostat set too high. 2. Combination control valve sticks open. 	<ol style="list-style-type: none"> 1. Lower setting of temperature dial. See "Lighting and Shutting Down Instructions". 2. Replace combination control valve.
AUTOMATIC PILOT & VALVE Burner Won't Turn On	<ol style="list-style-type: none"> 1. Pilot flame too large or too small. 2. Dirt in pilot orifice. 3. Defective automatic pilot section in combination control valve. 4. Defective Thermocouple. 	<ol style="list-style-type: none"> 1. Readjust pilot flame using adjustment screw marked "Pilot" on combination control valve. Page 12 2. Clean pilot orifice with air or solvent, do not remn. 3. Replace entire combination control valve. 4. Replace thermocouple.

SERVICE RECORD

DATE	MAINTENANCE PERFORMED	COMPONENTS REQUIRED

NOTES

WILLIAMS™



www.williamscomfort.com | 888-444-1212 | 250 West Laurel Street, Colton CA 92324 USA

Subject to change without notice | © 2024

