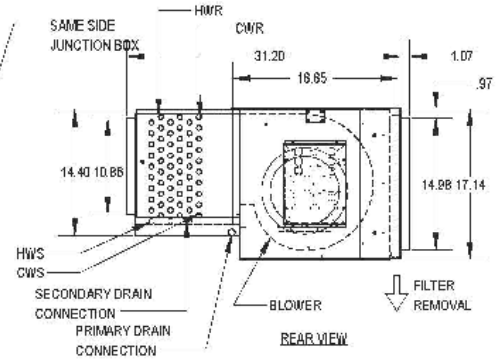
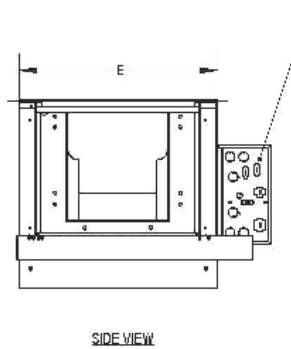
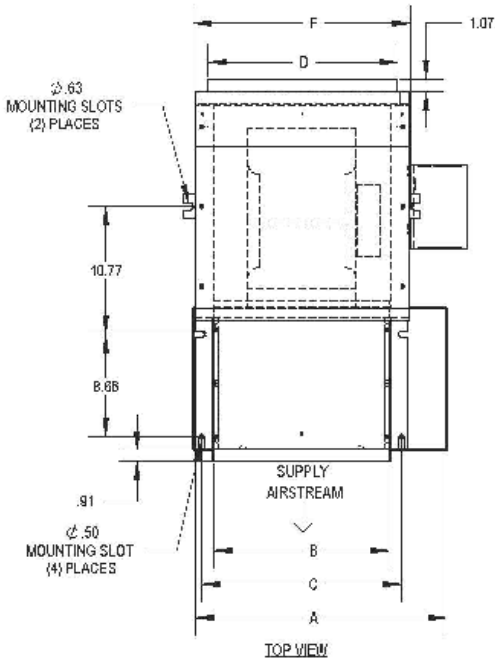
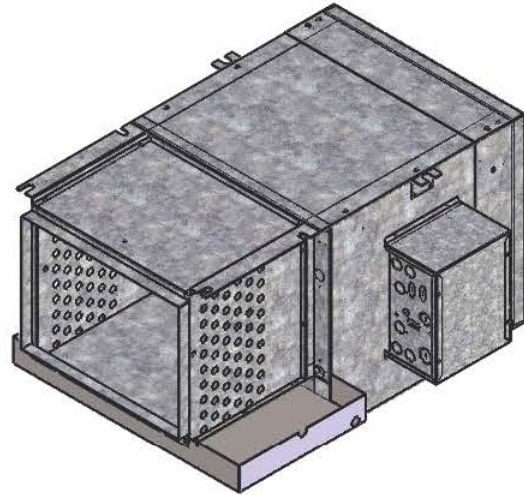


# HIGH PERFORMANCE HORIZONTAL WITH REAR RETURN AIR PLENUM

HH-R / 600 - 1,200 CFM

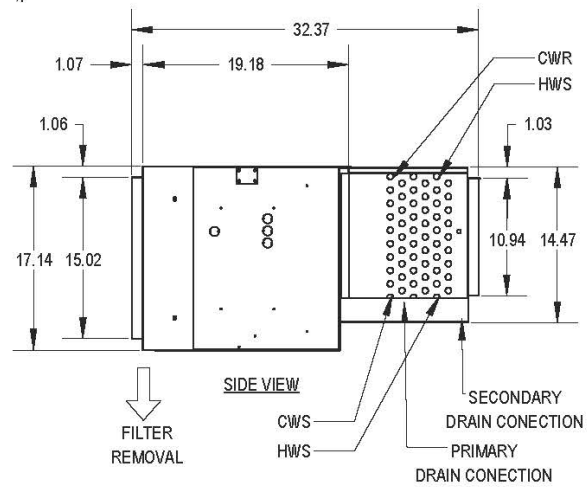
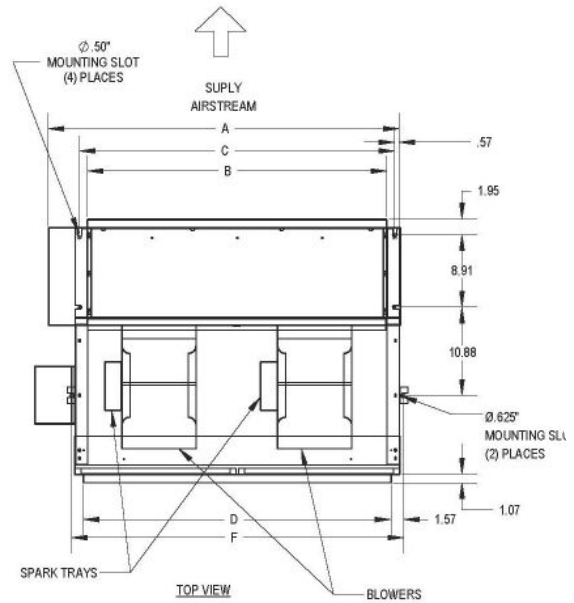
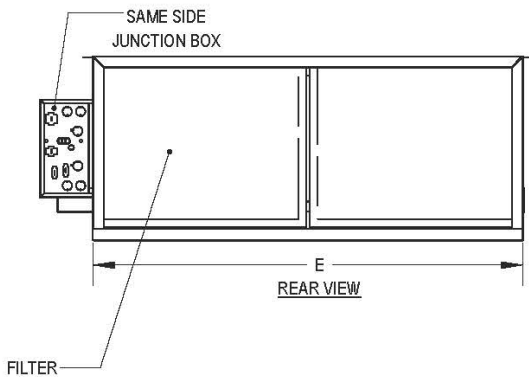
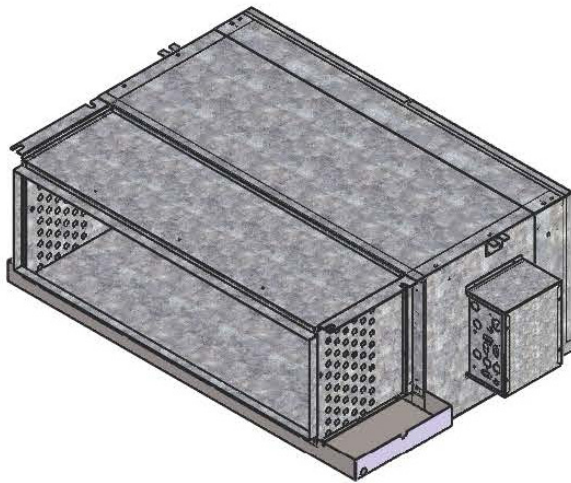


RIGHT HAND SHOWN, LEFT HAND OPPOSITE

MODEL REAR RETURN AIR	A	B	C	D	E	F	FILTER SIZE
600	21-1/2	15	16	16-1/16	19-3/16	19-3/8	17 X 18 X 1
800	25-1/2	19	20	20-1/16	23-3/16	23-3/8	17 X 22 X 1
1000	31-1/2	25	26	26-1/16	29-3/16	29-3/8	17 X 28 X 1
1200	37-1/2	31	32	32-1/16	35-3/16	35-3/8	17 X 34 X 1

- All sizes shown in inches.
- Right hand unit shown, left hand unit opposite.
- Coil connections determined by facing the supply air opening.
- Electrical junction box is located on the same side as the coil connections.
- Unit must be installed level and condensate drain lines should be trapped.
- Drain pan is powder coated epoxy with a 1/8" thick closed cell insulation and has 3/4" NPT primary and secondary drain connections.
- Entire cabinet, scroll and blower wheel are heavy gauge, galvanized steel.
- Coil connections: 1/2" CW on HH006, 3/4" on HH008-012 and 1/2" HW on HH006-012.

# HIGH PERFORMANCE HORIZONTAL WITH REAR RETURN AIR PLENUM HH-R / 1,500 - 2,200 CFM



MODEL REAR RETURN AIR	A	B	C	D	E	F	BLOWER	FILTER SIZE
1500	43-1/2	37	38-3/4	38-1/16	40-1/8	41-3/16	2	17 X 40 X 1
1800	49-1/2	43	44-3/4	44-1/16	46-1/8	47-3/16	2	17 X 46 X 1
2200	55-1/2	49	50-3/4	50-1/16	52-1/8	53-3/16	2	17 X 50 X 1

- All sizes shown in inches.
- Right hand unit shown, left hand unit opposite.
- Coil connections determined by facing the supply air opening.
- Electrical junction box is located on the same side as the coil connections.
- Unit must be installed level and condensate drain lines should be trapped.
- Drain pan is powder coated epoxy with a 1/8" thick closed cell insulation and has 3/4" NPT primary and secondary drain connections.
- Entire cabinet, scroll and blower wheel are heavy-gauge, galvanized steel.
- Coil connections: 3/4" CW on HH015-022 and 1/2" HW on HH015-022.