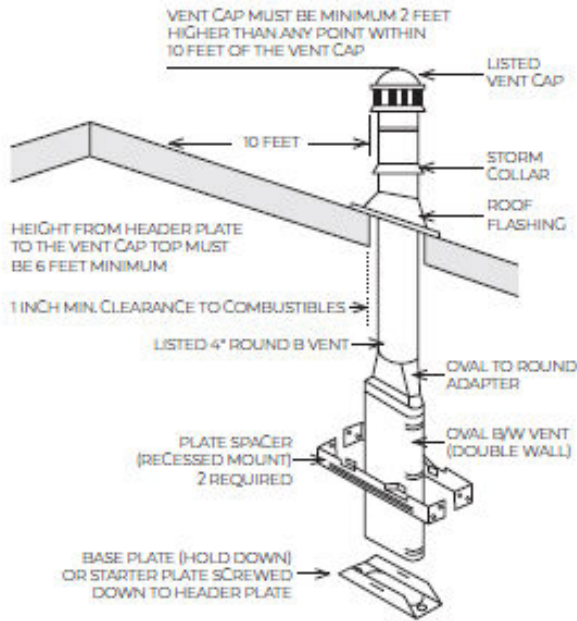


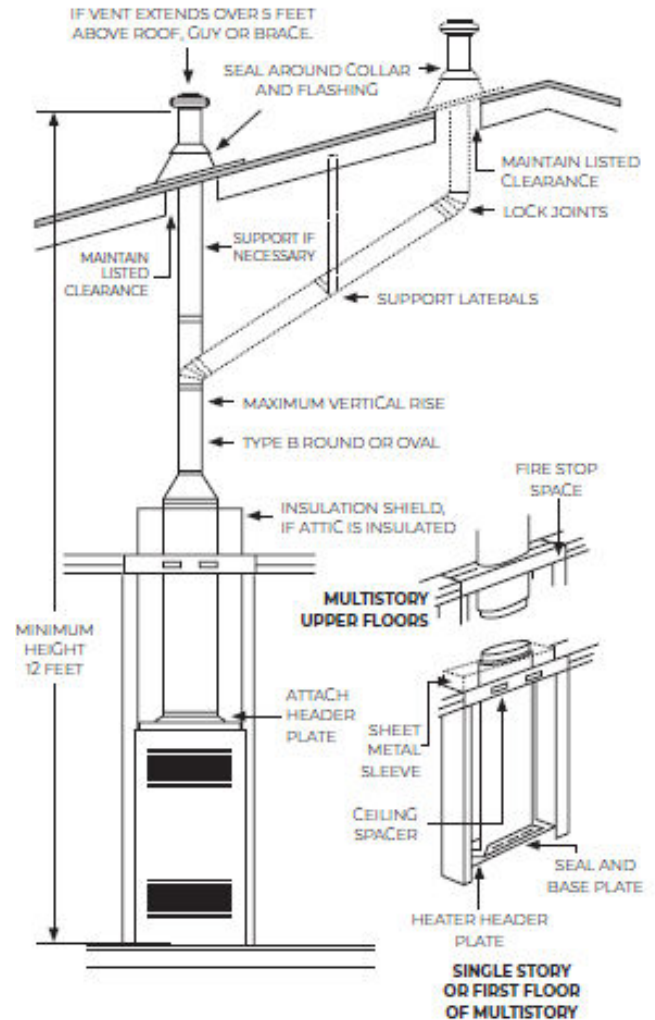
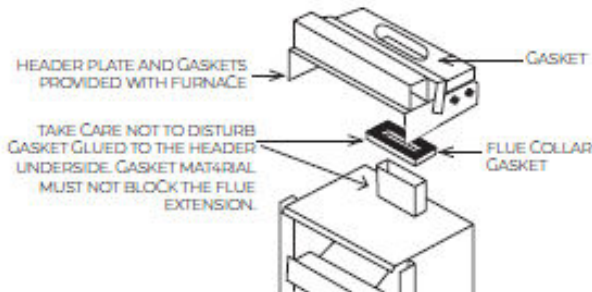
Gravity TV Heaters

Issue: Vent limit switch tripping

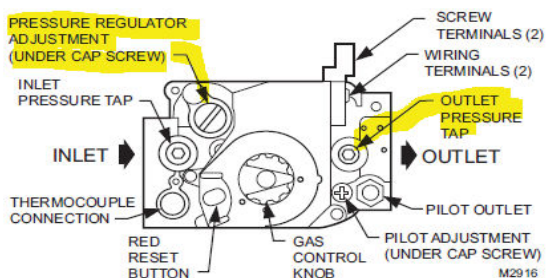
1. Check venting to verify it is to the specs of the manual. There can be no 90-degree offset within the venting system. Only 45 degree offsets are permitted. There needs to be at least 2 feet of vertical run between each offset. Do not install an oval to round right off the top of the heater/ unit. There needs to be at least 2 feet of oval pipe first before transitioning to round.



NOTE: THESE PARTS ARE SUPPLIED WITH THE FURNACE



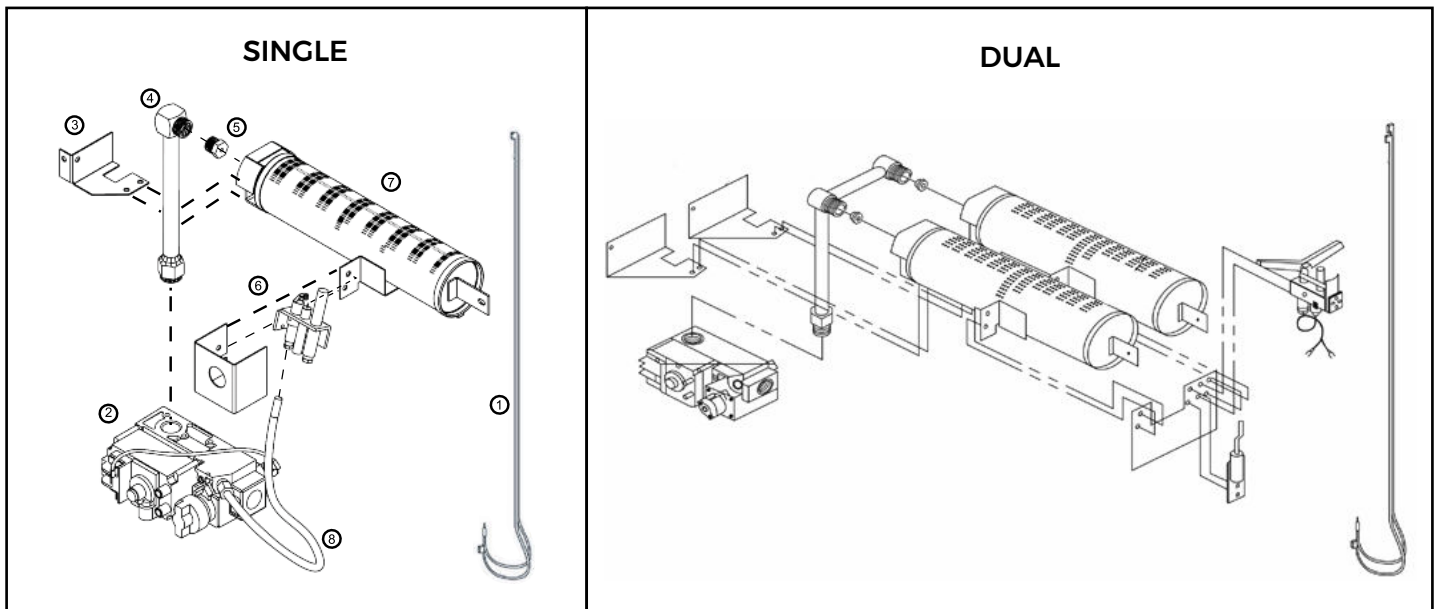
1. Check manifold pressure. 4" WCP for NAT/10" WCP for LP. If on the higher side, reduce pressure to meet manual specs.



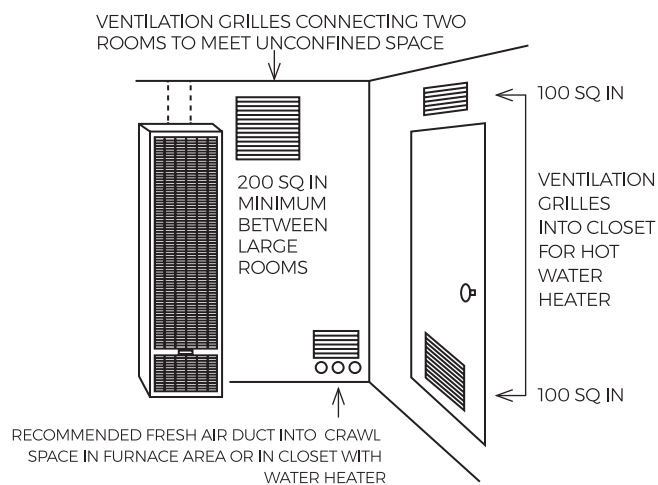
Gas supply pressure and manifold pressure with burners operating must also be as specified on the rating plate.

TYPE OF GAS	MANIFOLD PRESSURE, IN. W.C.
NATURAL	4.0
PROPANE	10.0

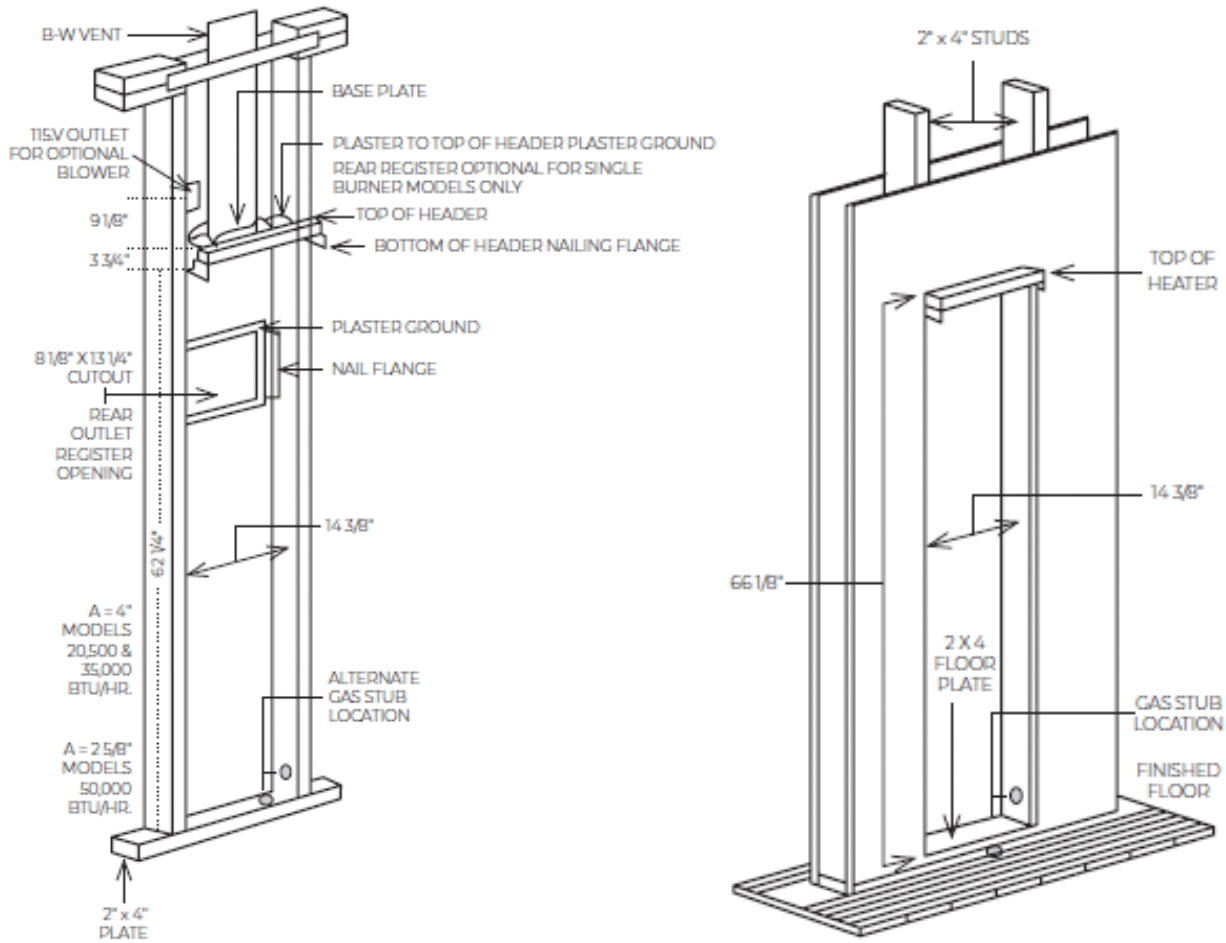
3. Check the orifice size (items #3 & #5). Make sure it is for the correct gas type and elevation. See manual for proper gas type and elevation size.



4. Check for adequate make up air for the unit. See manual for proper make up air calculations.



- Make sure the unit is installed to the proper clearances per the manual (especially header height) and that the legs of the unit are not cut off to make the unit shorter. Also check the unit is not recessed too far back in the stud bay and covering the side relief openings.



- Check switch for proper cut off temp. Replace if needed.

WILLIAMS & NEW COZY

OLD COZY

